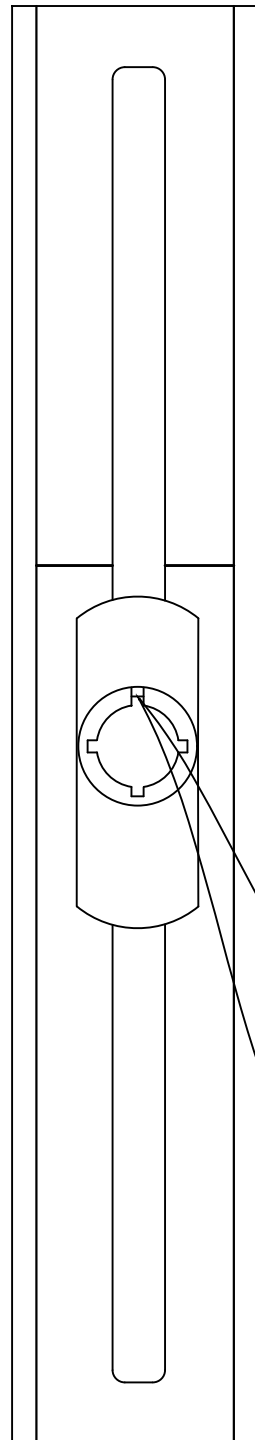



If you feel that your Tilt & Turn handle has become difficult to operate or your sash is not sealing properly once closed, it is recommended that you adjust your sash locks using the instructions below



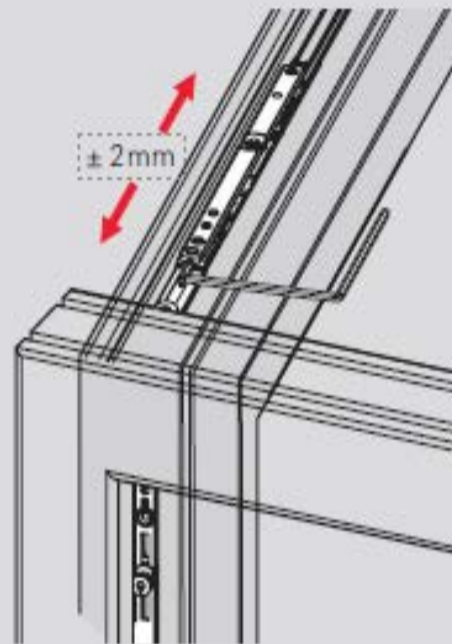
To weaken seal compression, using 4mm allen key, the top most slit on turning mechanism must face the outside of your window

To strengthen seal compression, using 4mm allen key, the top most slit on turning mechanism must face the inside of your window

TT Sash Lock Adjustment				
PART NO. VARIOUS	PROJECT	<small>... Marketing/Artek 2019/090 - Lign (1).jpg</small>		
DRAWN BY/DATE BG 7/12/2022	REFERENCE			
MATERIAL VARIES		SCALE @ A3 DNS	www.binq.com.au	REV
FINISH/TREATMENT	$X \pm 0.1$ $\times X \pm 0.01$ $\pm 0.25'$	WEIGHT 1	THIS DRAWING IS THE PROPERTY OF BINQ. Information contained herein is confidential and is not to be used or disclosed to third parties without the written consent of binq	SHEET 1 / 1

via sash stay

Lateral adjustment

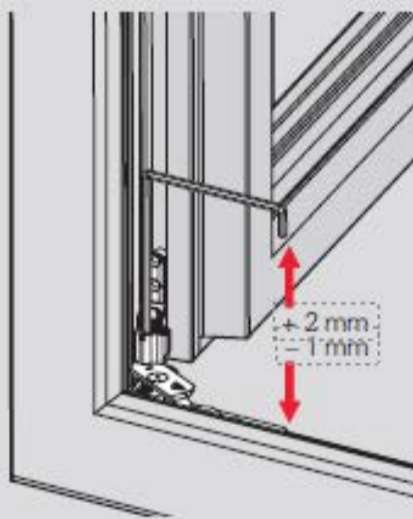


Gasket-compression adjustment



via pivot rest / corner hinge

Height adjustment



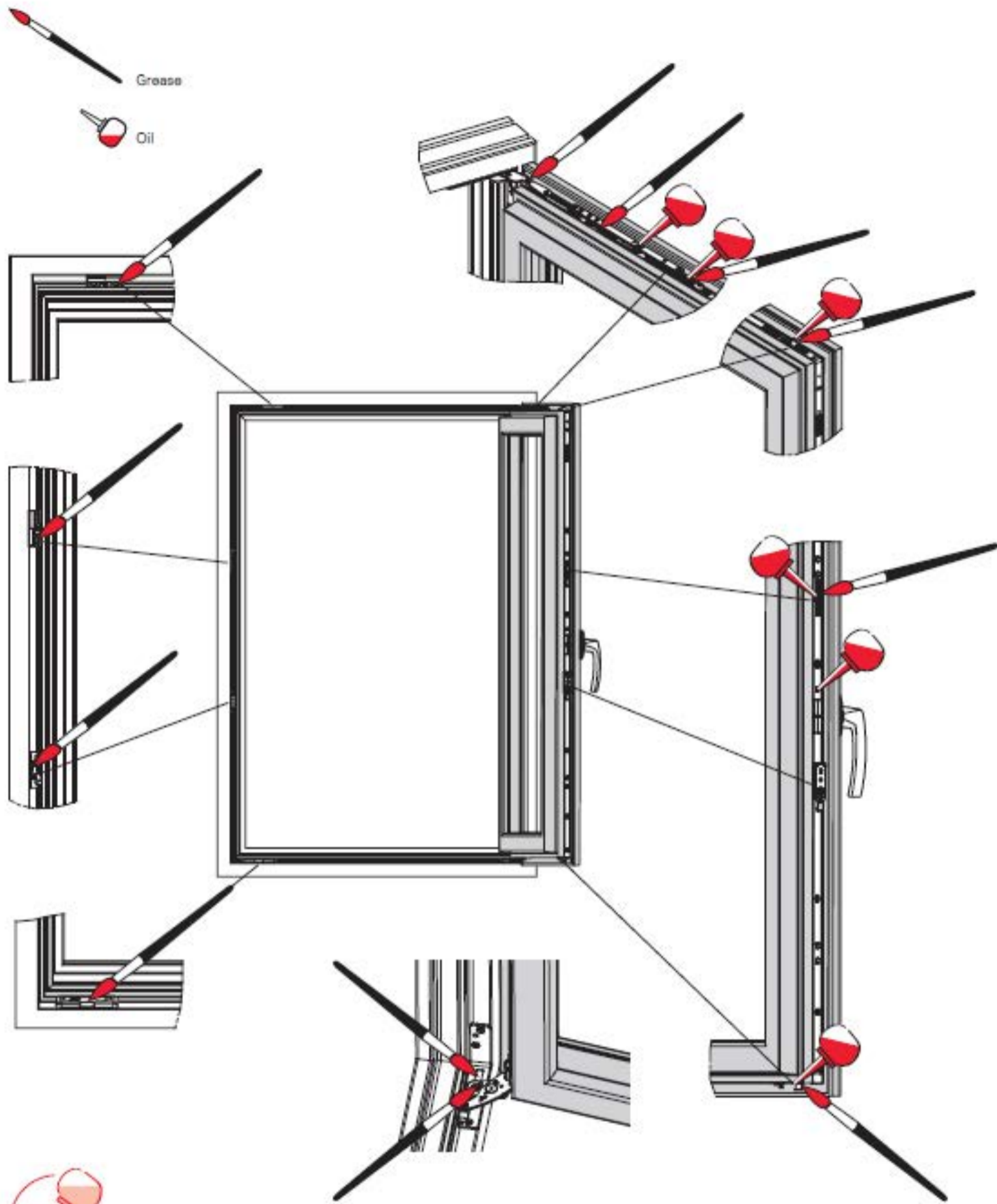
Lateral adjustment



Gasket-compression adjustment



After the height adjustment, the load transfer device has to be readjusted (refer to page 51).



Maintenance



www.binq.com.au
 info@binq.com.au
 03 9773 2373
 2-4 Ashley Park Drive,
 Chelsea Heights 3196